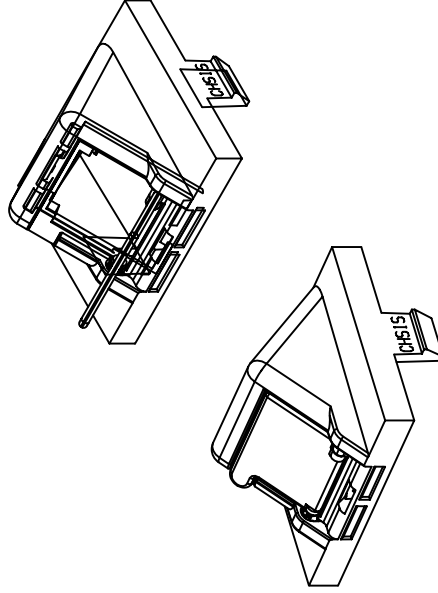
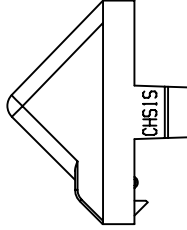
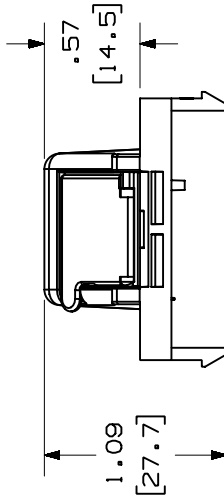
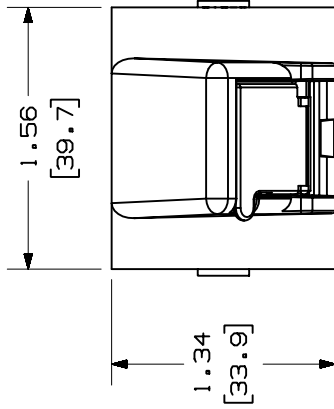


THIS COPY IS PROVIDED ON A RESTRICTED BASIS AND IS NOT TO BE USED IN ANY WAY DETRIMENTAL TO THE INTERESTS OF PANDUIT CORP.

* PANDUIT P/N	WEIGHT
CHS1S**	.15 LB/10 PCS (68.0 g/10 PCS)

- NOTES:
- SEE CURRENT CATALOG FOR ADDITIONAL PART NUMBER SUFFIXES TO INDICATE COLOR AND OR PACKAGE QUANTITY. THIS PART IS TO BE USED WITH THE MINI-COM BEZELS AND MINI-COM MODULES. DIMENSIONS IN PARENTHESES ARE IN METRIC.



CAD FILENAME/LAYERS

M00762AA\_DC\_00A.PRT

**PANDUIT**

CORP. TINLEY PARK, ILLINOIS

1 POSITION SLOPED SHUTTERED INSERT (CHS1S\*\*) CUSTOMER DRAWING

UNLESS OTHERWISE SPECIFIED, DIMENSIONAL TOLERANCES ARE:  
(.X) ±.010 (.3)  
(.XX) ±.03 (.8) ANGLES ±

UNLESS OTHERWISE SPECIFIED, ALL DIMENSIONS ARE GIVEN IN INCHES, THIRD ANGLE PROJECTION.

DRAWN BY JSP  
DATE 10-27-99  
CHECKED BY

MAT'L:

SCALE

NONE

ABS

ABS

DRAWING NO.

00762-03

DWG  
SIZE

REV	DATE	BY	CHK	DESCRIPTION	ECN	CHK	CUST	SUP
R	10-27-99	JSP		RELEASED TO PRODUCTION.	00762-03			